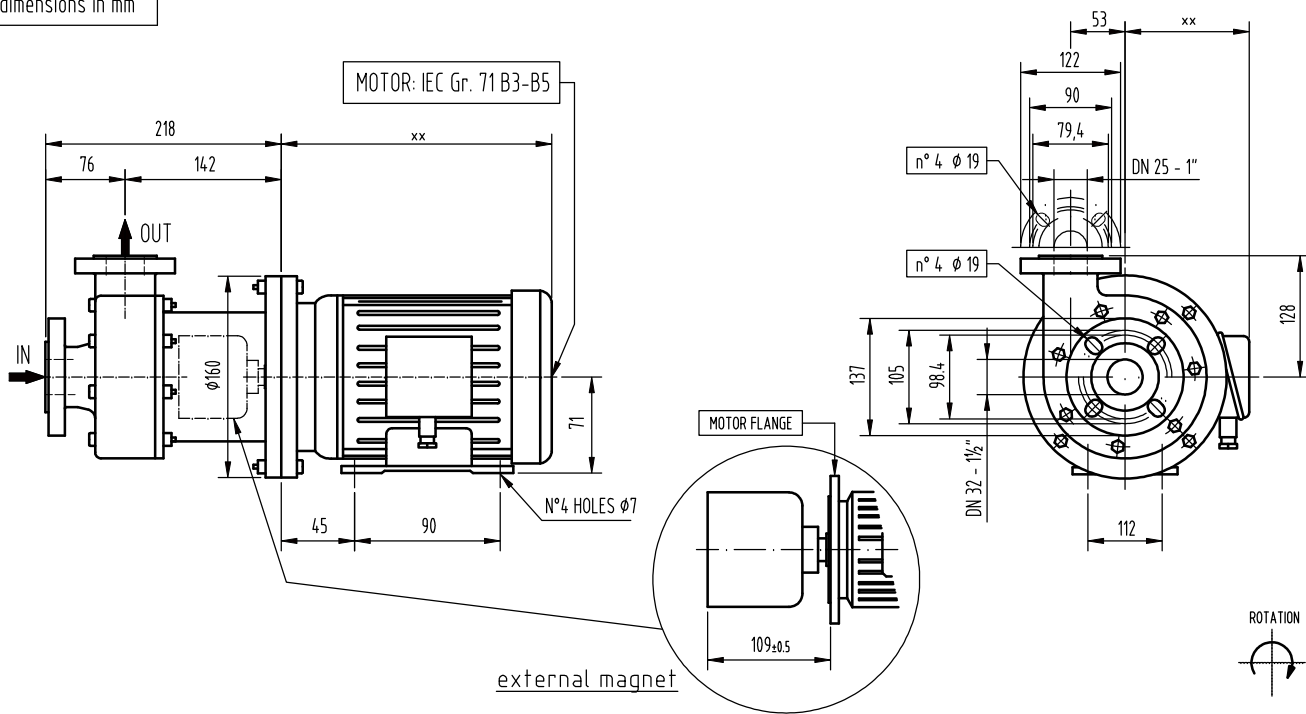
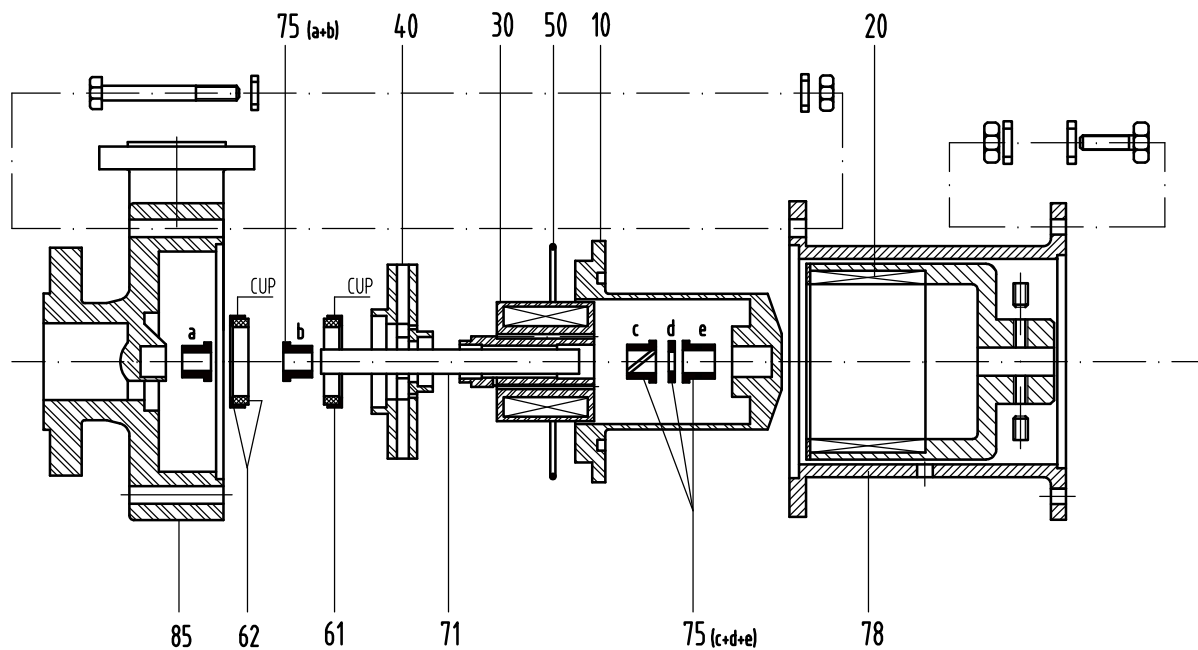


dimensions in mm



(xx) DIFFERENT FROM MOTOR MANUFACTURER

FLANGES ACCORDING TO: DIN 2501 PN 10 / ANSI B 16.5 150 Lbs RF / JIS 10K



REF	DESCRIPTION	MATERIAL	CODE
10	Containment shell	PVDF	GPC322510 PV
20	Ext. Magnet	CoSm/ Carbon Steel	GPTA60020 03
30	Int. Magnet	PVDF/CoSm	GPC322530 PV
40	Impeller	PVDF	GPC322540 PV
50	O-Ring 4462 (247)	Viton	GPC322550 V
61	Imp. Front Thr. Brg + Cup	PTFEC	GPC322561 1V
62	Casing Thrust Brg + Cup	Ceramic	GPC322562 6V
71	Shaft	Ceramic	GPC322571 04
75	Bearings	PTFEC	GPC322575 1
78	Bracket (160-110-14)	PP	GPC322578 N3 103
85	Pump Casing	PVDF	GPC322585 PV 03
88	Rear Wet End (10+30+40+50+61+71+75)	/	GPC322588 PV R 00 1 7 04 V N N N 0 00 0 N
90	Wet End (10+30+40+50+61+62+71+75+85)	/	GPC322590 PV W 03 1 7 04 V N N N 0 00 0 N

Rev.	Date	Description	Drn.	Chk'd	Appr.

REVISIONS

	CLIENT
	P.O. N°
	ORD
	ITEM
MODEL	SERIAL N°
GPC32-25PVDF FLPN10/ANSI150/ JIS 10K	
CODE/DWG	GPC3225 PV C 03 1 7 04 V N N 3 1 03 3 N