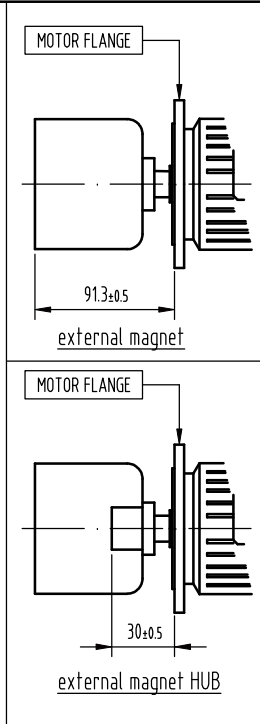
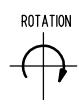
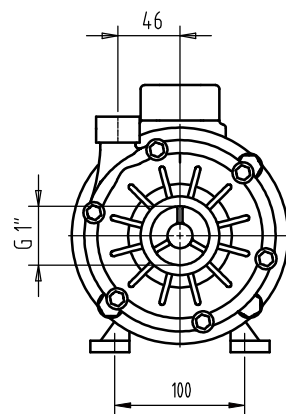
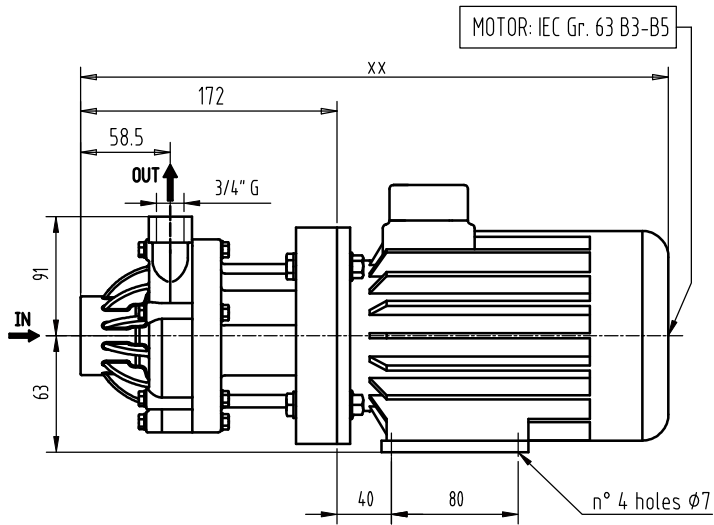


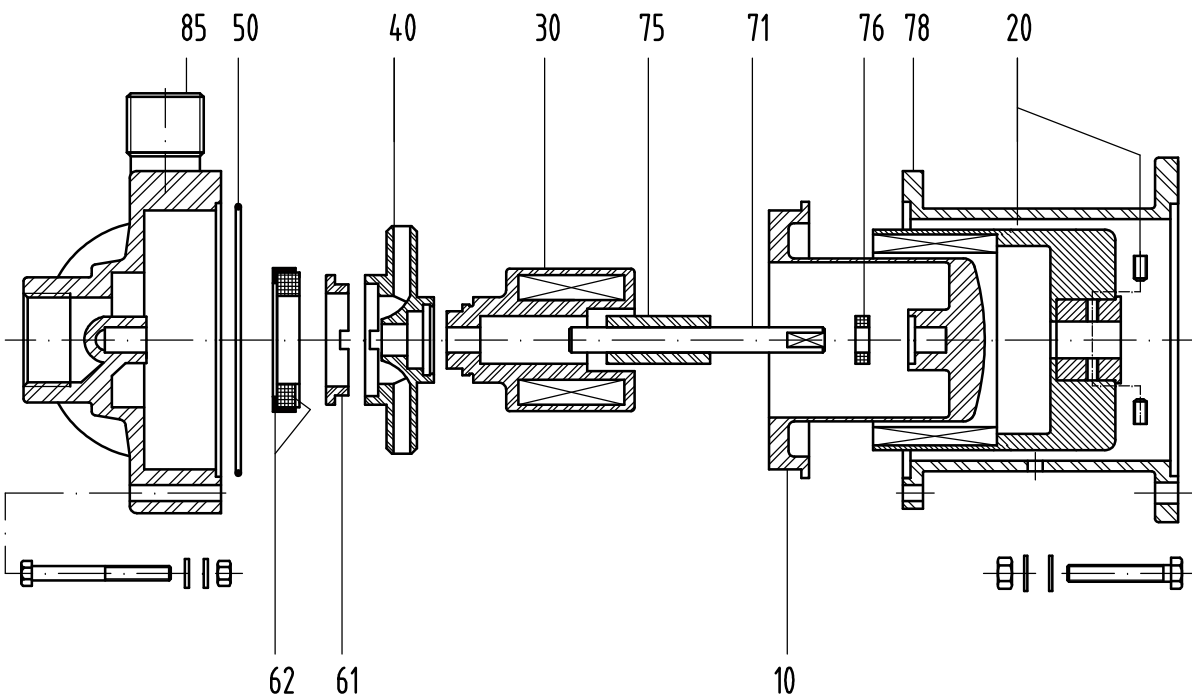
dimensions in mm



THREAD UNI ISO 228/1

REF	DESCRIPTION	MATERIAL	CODE
10	Containment shell	PP	GPM610 PP
20	Ext. Magnet	Neodym./ Carbon Steel	GPM620 02
30	Int. Magnet	PP/Neodym.	GPM630 PP
40	Impeller	PP	GPM640 PP
50	O-Ring 4425 (244)	EPDM	GPM650 E
61	Imp. Front Thr. Brg	PTFEC	GPM661 1
62	Casing Thrust Brg + Cup	Ceramic 99.7%	GPM662 6 E
71	Shaft	Ceramic 99.7%	GPM671 04
75	Bearings	PTFEC	GPM675 1
76	Ring	Ceramic 99.7%	GPM676 6
78	Bracket (14.0-95-11)	PP-FC	GPM678 N31 02
85	Pump Casing	PP	GPM685 PP 01
88	Rear Wet End (10+30+40+50+61+71+75+76)	/	GPM6 88 PP R 00 1 1 7 0 4 E N N N 0 0 0 0 N
90	Wet End (10+30+40+50+61+62+71+75+76+85)	/	GPM6 90 PP W 0 1 1 1 7 0 4 E N N N 0 0 0 0 N

(x) DIFFERENT FROM MOTOR MANUFACTURER



Rev.	Date	Description	Drn.	Chk'd	Appr.

REVISIONS

	CLIENT
	P.O. N°
	ORD
	ITEM
MODEL	GPM6 PP FPT
CODE/DWG	GPM6 PP C 01 1 1 7 0 4 E N N 3 1 02 3 N