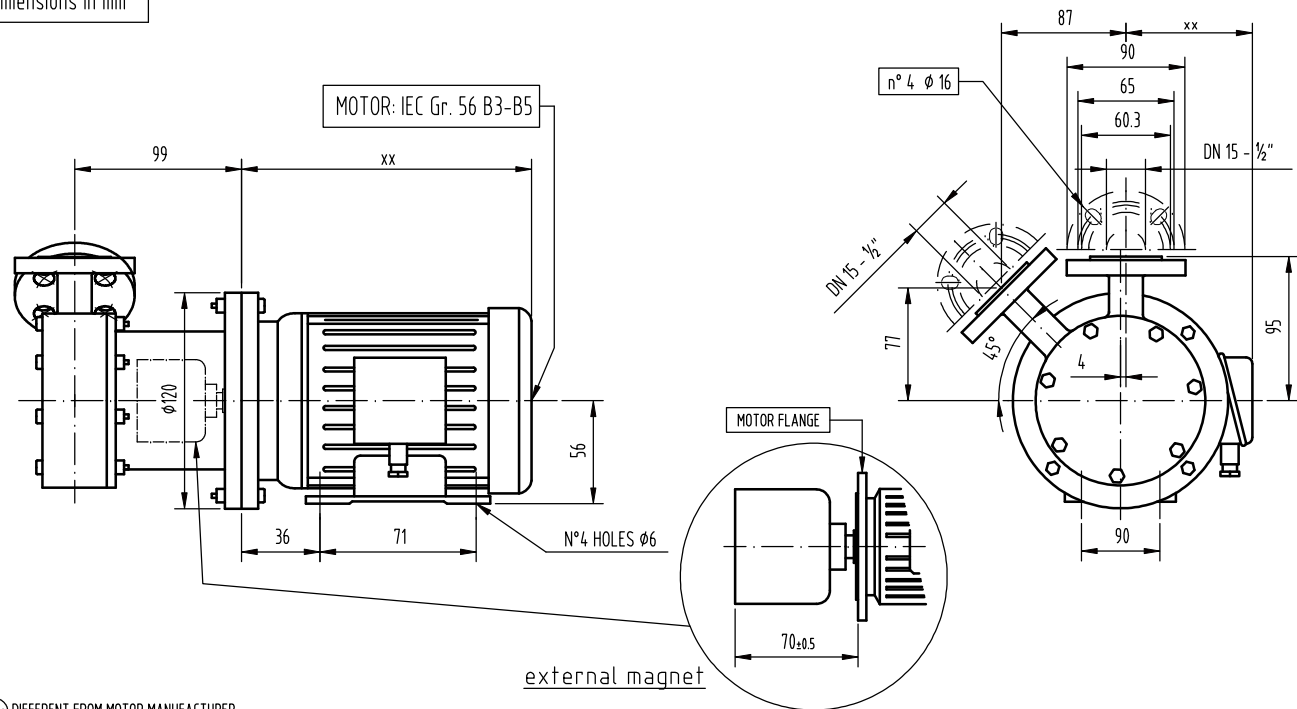
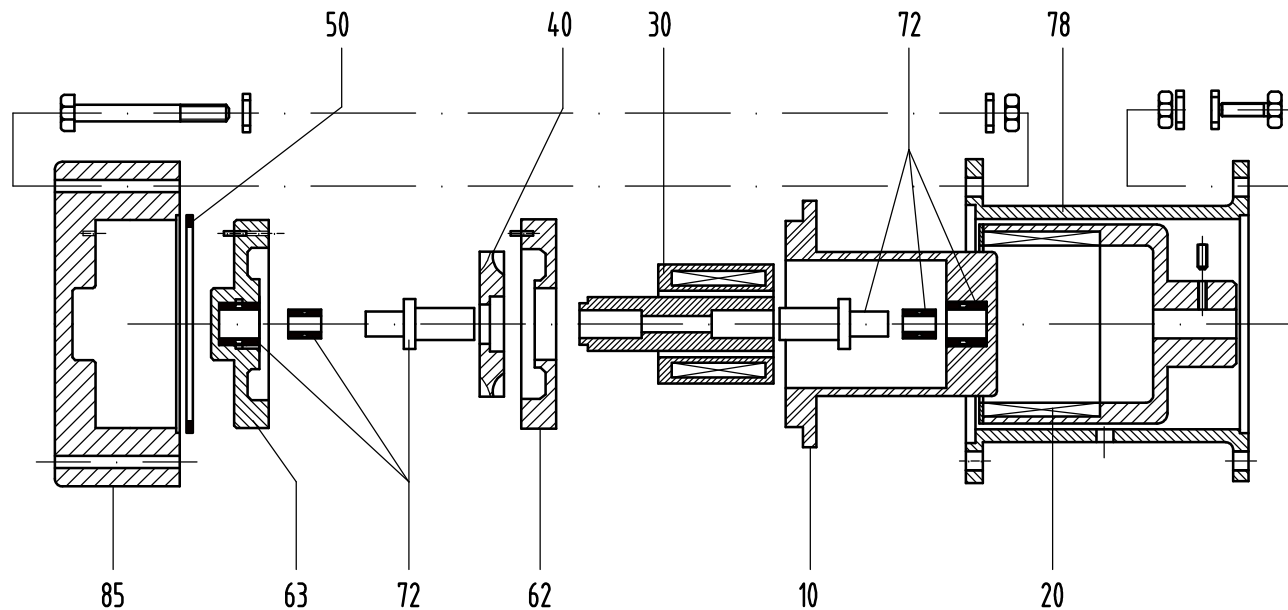


dimensions in mm



xx DIFFERENT FROM MOTOR MANUFACTURER
- DIRECTION AND PORTS LOCATION ARE REVERSIBLE

REF	DESCRIPTION	MATERIAL	CODE
10	Containment shell	PVDF	GPT20210 PV
20	Ext. Magnet	NeFeB/ Carbon Steel	GPT20220 01
30	Int. Magnet	PVDF/NeFeB	GPT20230 PV
40	Impeller	PVDF	GPT20240 PV
50	O-Ring 4300 (234)	Viton	GPT20250 V
62	Rear Ring	PVDF	GPT20262 PV
63	Front Ring	PVDF	GPT20263 PV
72	PTFEC Bearings/Shafts	PTFEC	GPT20272 1 01
78	Bracket (120-80-9)	PP	GPT20278 N 3 1 01
85	Pump Casing	PVDF	GPT20285 PV 03
88	Rear Wet End (10+30+40+50+62+63+72)	/	GPT202 88 PV R 00 1 0 0 1 V N N N 0 0 0 0 N
90	Wet End (10+30+40+50+62+63+72+85)	/	GPT202 90 PV W 03 1 0 0 1 V N N N 0 0 0 0 N



Rev.	Date	Description	Drn.	Chk'd	Appr.

REVISIONS

	CLIENT
	P.O. N°
MODEL	ORD
GPT 202 PVDF FLPN10/ANSI150	ITEM
CODE/DWG	SERIAL N°
GPT202 PV C 03 1 0 0 1 V N N 3 1 0 1 3 N	