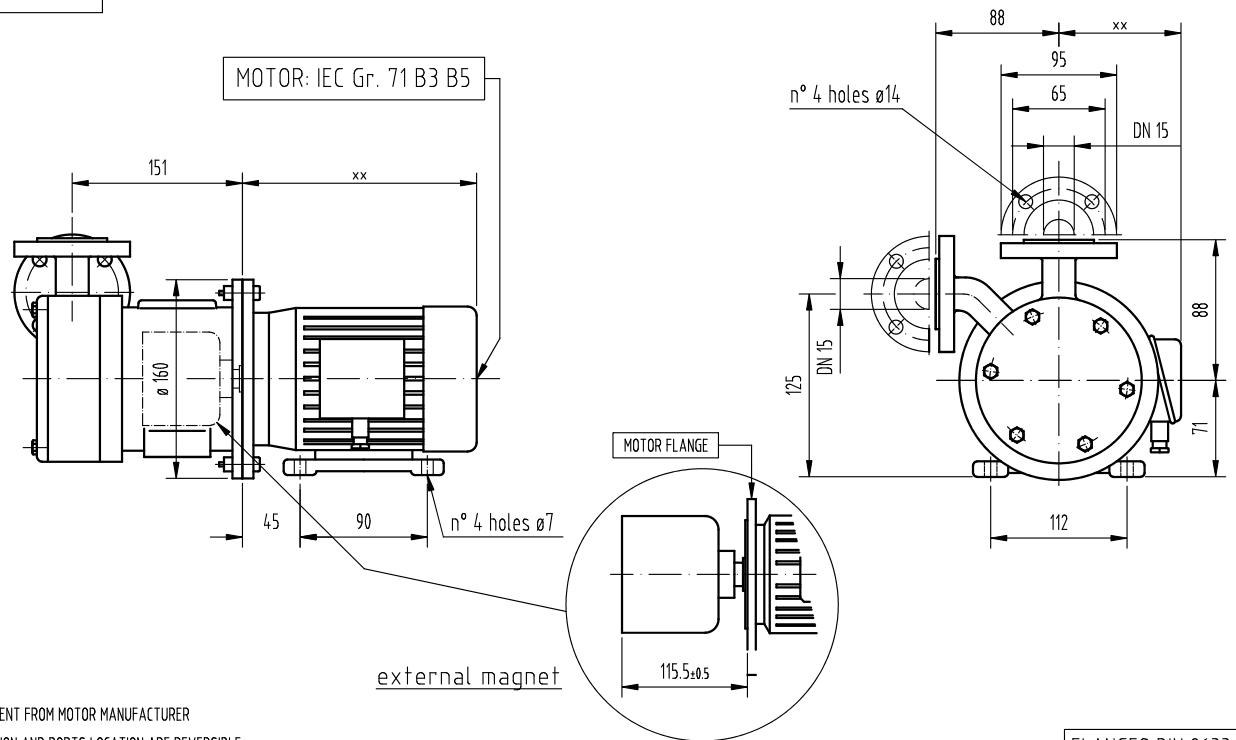
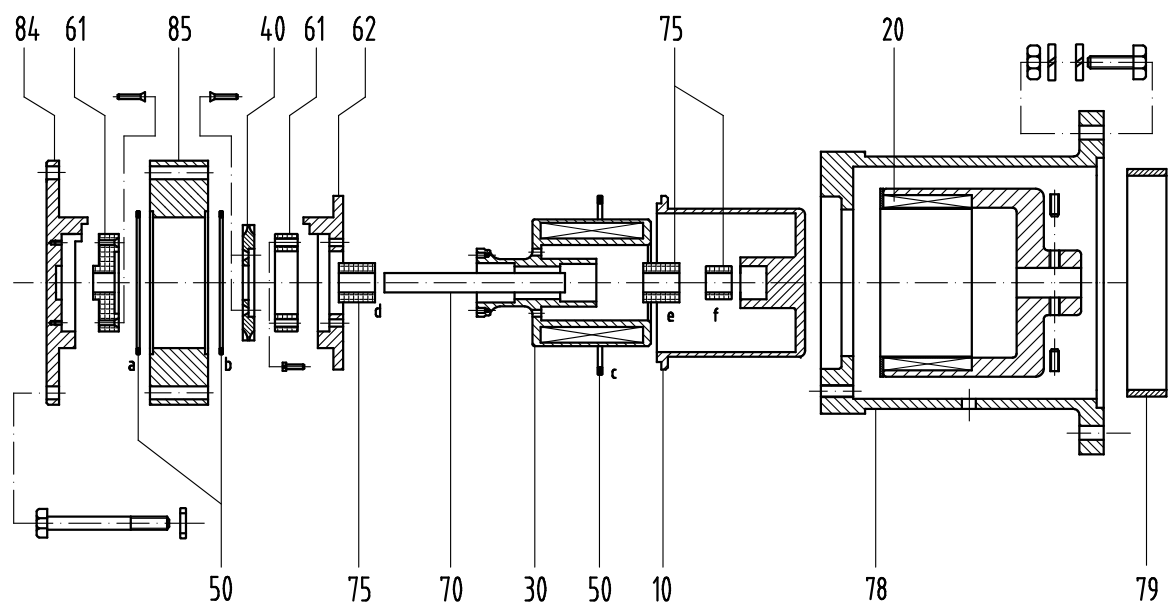


dimensions in mm



(xx) DIFFERENT FROM MOTOR MANUFACTURER
- DIRECTION AND PORTS LOCATION ARE REVERSIBLE

FLANGES DIN 2633 PN 16



REF	DESCRIPTION	MATERIAL	CODE
10	Containment shell	SS 316L	GPTA2010[S6]
20	Ext. Magnet	CoSm/ Carbon Steel	GPA60020[03]
30	Int. Magnet	SS 316L/CoSm	GPTA2030[S6]5
40	Impeller	SS 316L	GPTA2040[S6]
50	Set O-Rings (a+b+c) a + b = O-Ring 4250 (230) c = O-Ring 4312 (235)	Viton	GPTA2050[V]
61	Thrust Bearings	Pcarbon	GPTA2061[4]
62	Rear Ring	SS316L	GPTA2062[S6]N
70	Shaft	SIC	GPTA2070[03]
75	Sleeve Bearings Bearings (d+e) Bearing (f)	SIC SS316	GPTA2075[S6]5
78	Bracket (160-110-14)	Aluminium	GPTA2078[N4][03]
79	Rub Ring	Bronze	GPTA2079[6]
84	End Cover	SS 316L	GPTA2084[S6]N
85	Pump Casing	SS 316L	GPTA2085[S6]04
88	Rear Wet End (10+30+40+50+61+62+70+75)	/	GPTA20[88]S6[R]00[5]4[03]V[N]N[0]0[0]0[N]

Rev.	Date	Description	Drn.	Chk'd	Appr.

REVISIONS

	CLIENT
	P.O. N°
	ORD
	ITEM
MODEL	GPTA 20 SS316 FL PN16
CODE/DWG	GPTA20[S6]C[04]5[4]03[V]N[N]4[1]03[3]N